

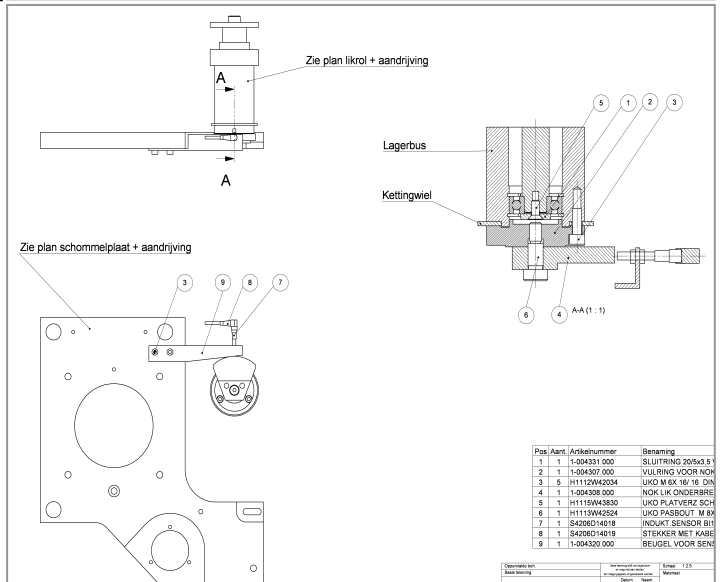
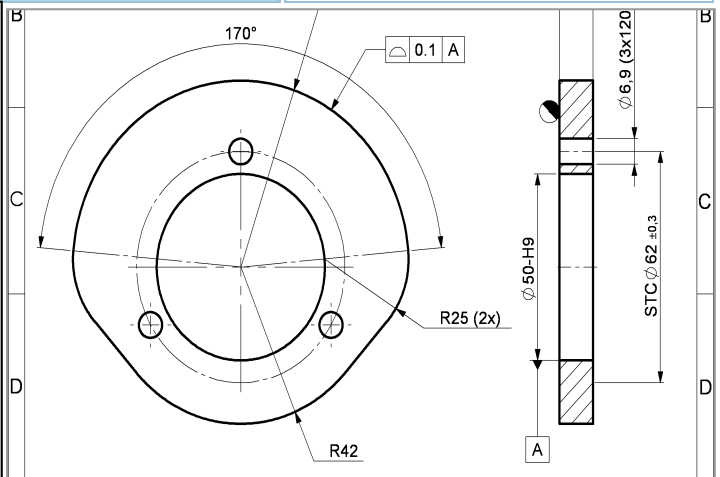
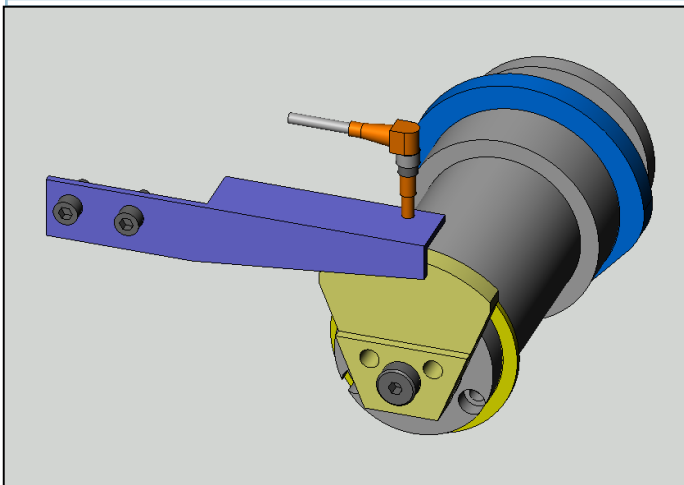
Modification; vibrating roller curve disk for Vison and VSOP

DgpS can supply a modification kit to improve the ink transfer to the inktrain enabling to run full coverage work at higher speeds.

The basics for this modification consist of a different curve disk on the vibrating roller, resulting in a longer transfer time of ink to the inktrain.

With this modification it is also possible to reduce the ink transfer at lower speeds with the Adjustment Duct Interruption enabling a more controllable inktransfer.

- **Improved ink supply to ink train.**
- **Increased printing speeds for full coverage work.**
- **More controllable ink transfer.**
- **Increased productivity of your printing process**



Pos./Aant.	Artikelenummer	Benaming
1	1-004337 000	SLEUTING 20x3x5,5
2	1-004337 000	VULRING VOOR NGR
3	1-11127M42034	UKD M 6x 16 16 DN
4	1-004338 000	NOE LK ONDERBREI
5	1-11119W43830	UKD PLATVERZ SCH
6	1-11119W42524	UKD PASSBOUUT M 6x
7	1-04208140116	INDUKT SENSOR B16
8	1-04208140119	STEKKER MET KABE
9	1-004320 000	BEUGEL VOOR SEN